

Thirteen digit cards

Written by Liz Gibbs

The Busy Lizzie Maths Library

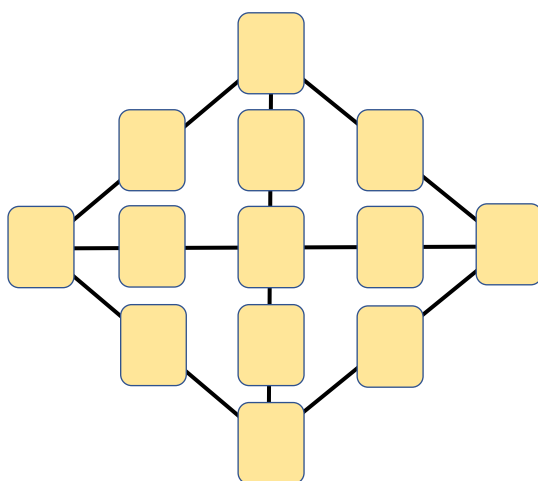
Thirteen digit cards

You will need...

- a set of 0 → 12 digit cards
- a copy of this arrangement

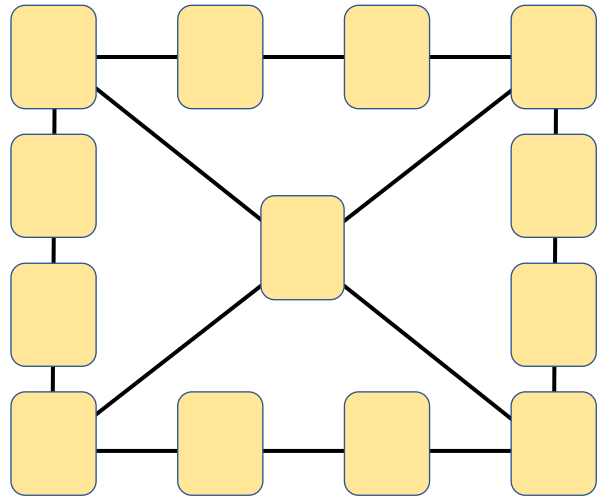
Can you arrange the numbers from 0 → 12, so that no consecutive numbers are on the same line?

Consecutive numbers are numbers that follow each other, e.g. 1, 2, 3, 4 and 9, 10, 11, 12.

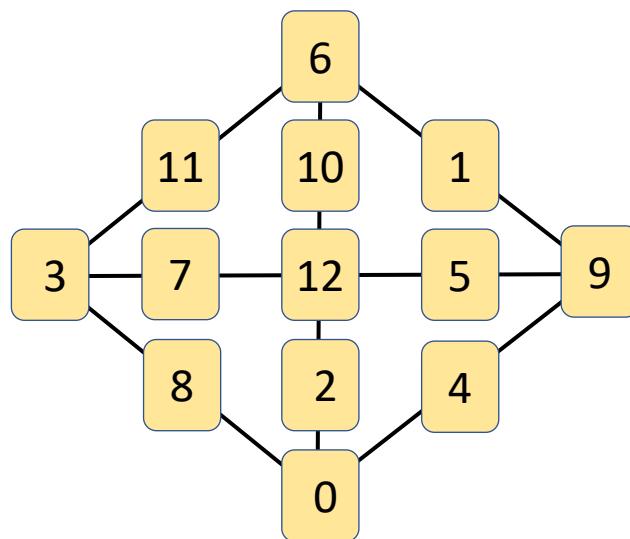


Thirteen digit cards

Here is another arrangement for you to use.



Thirteen digit cards: possible solution



Thirteen digit cards: possible solution

